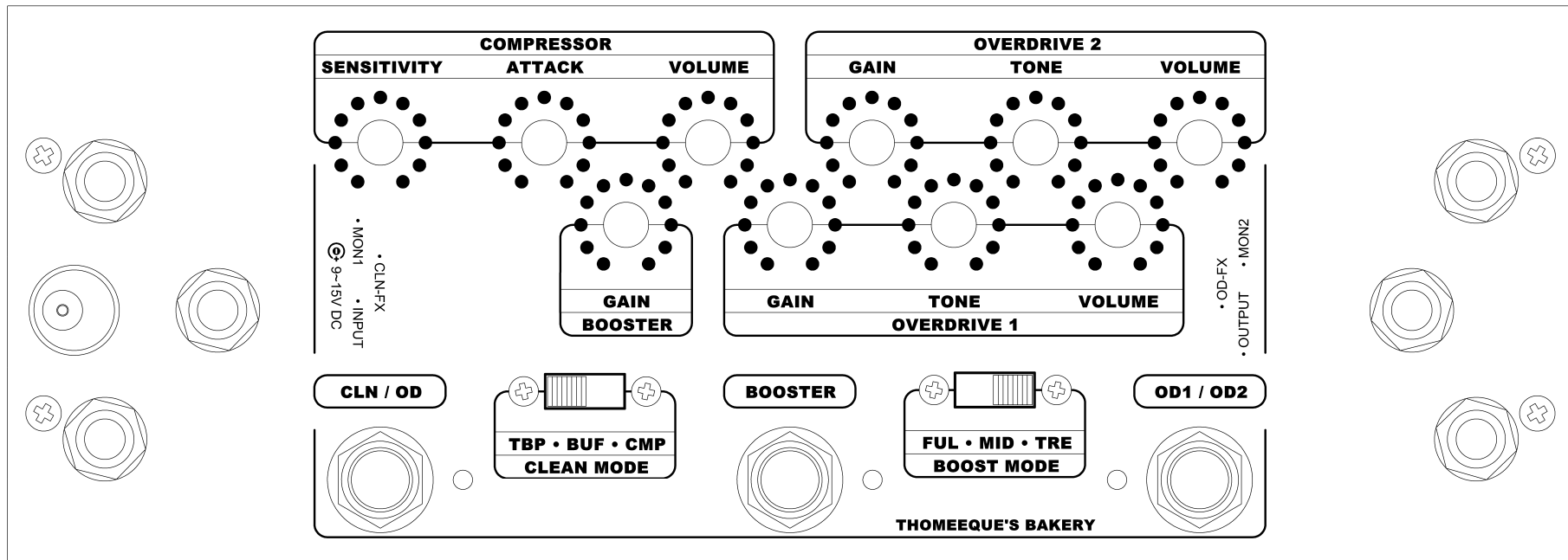


THOMEQUE'S BAKERY

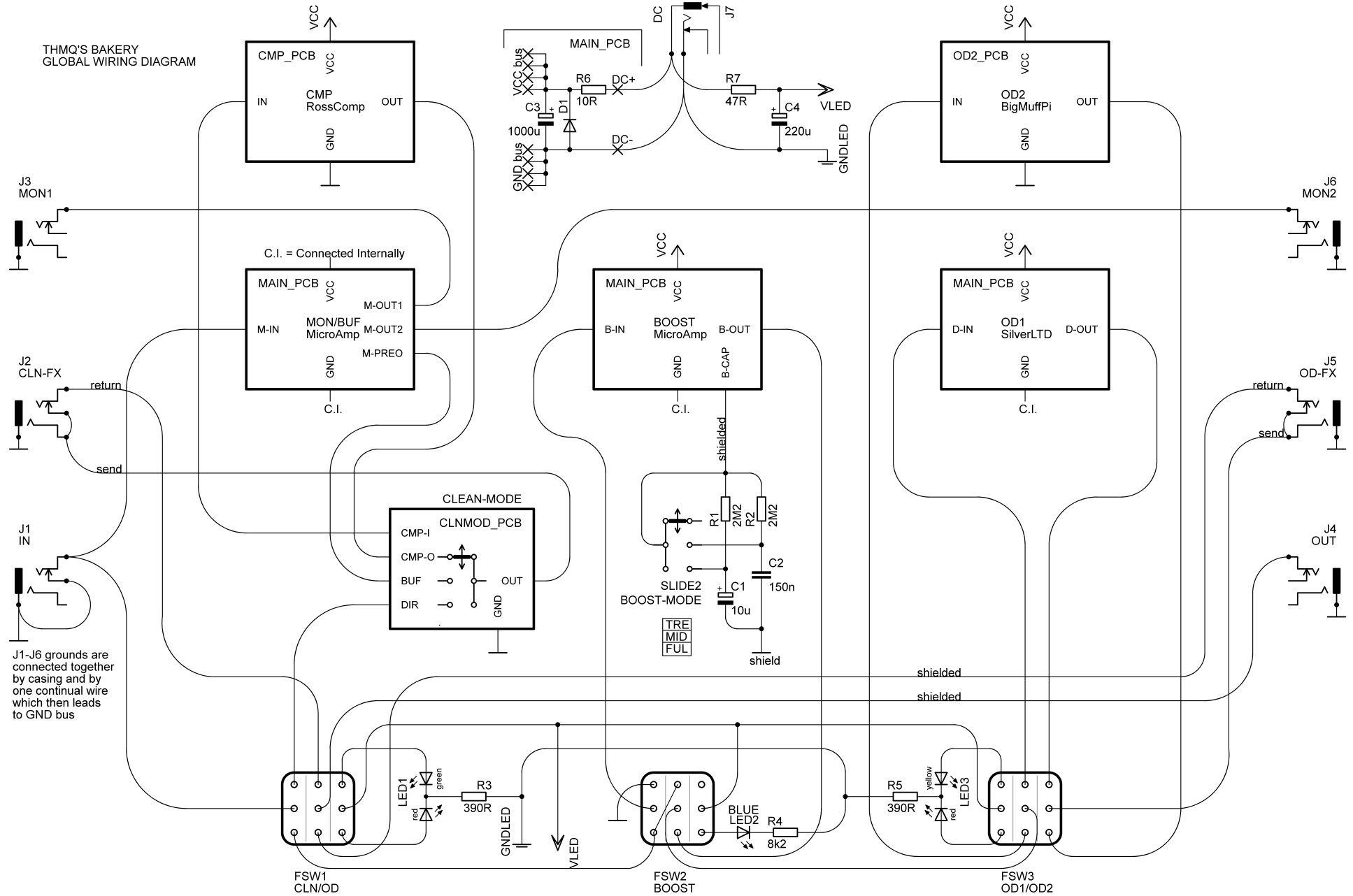
GUITAR PRE-AMP

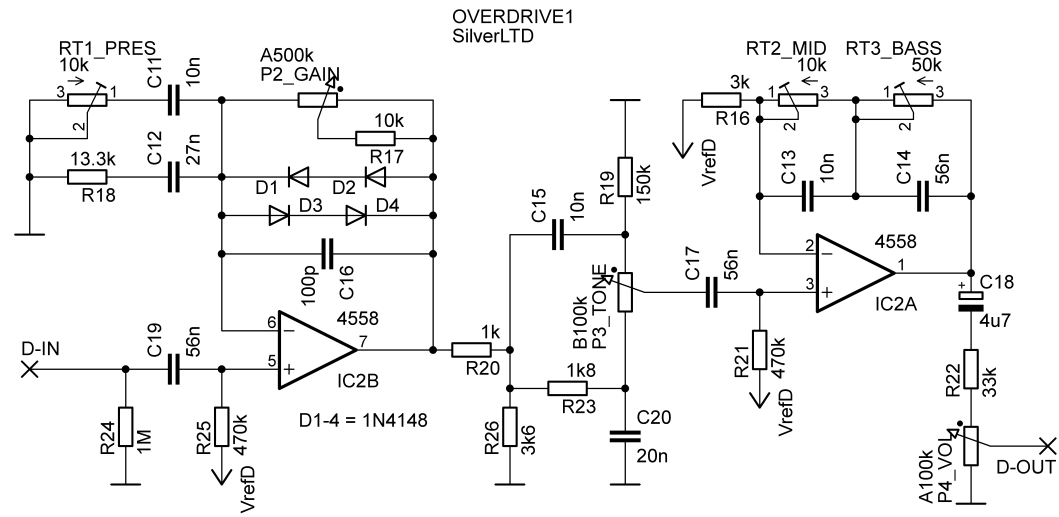
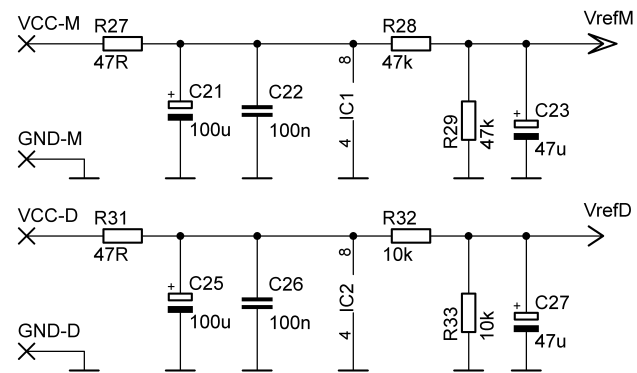
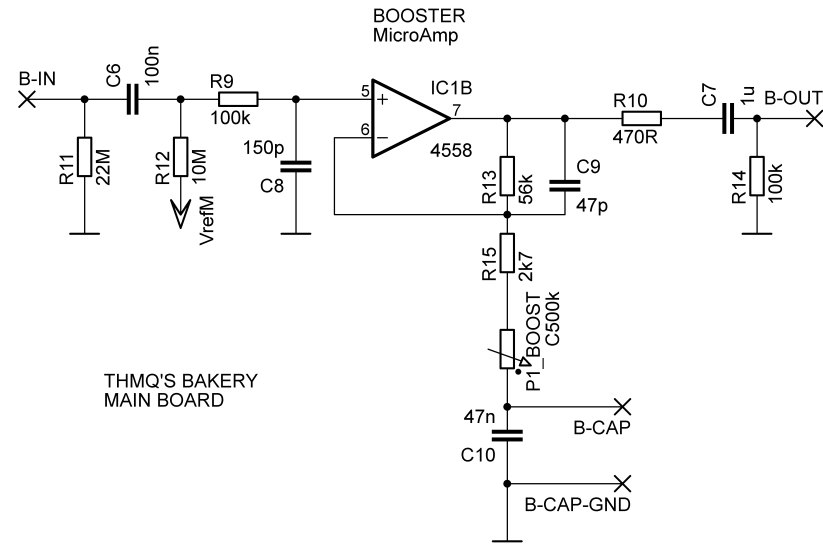
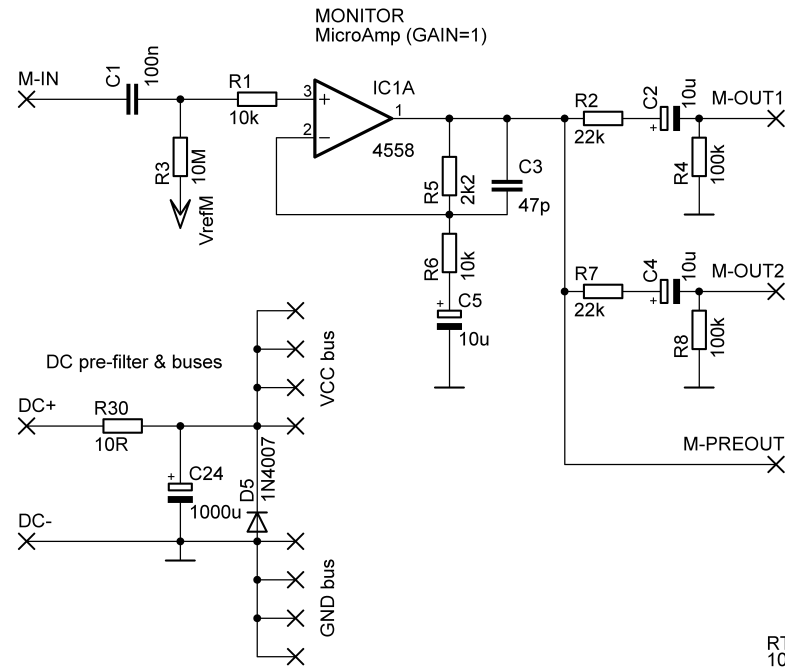


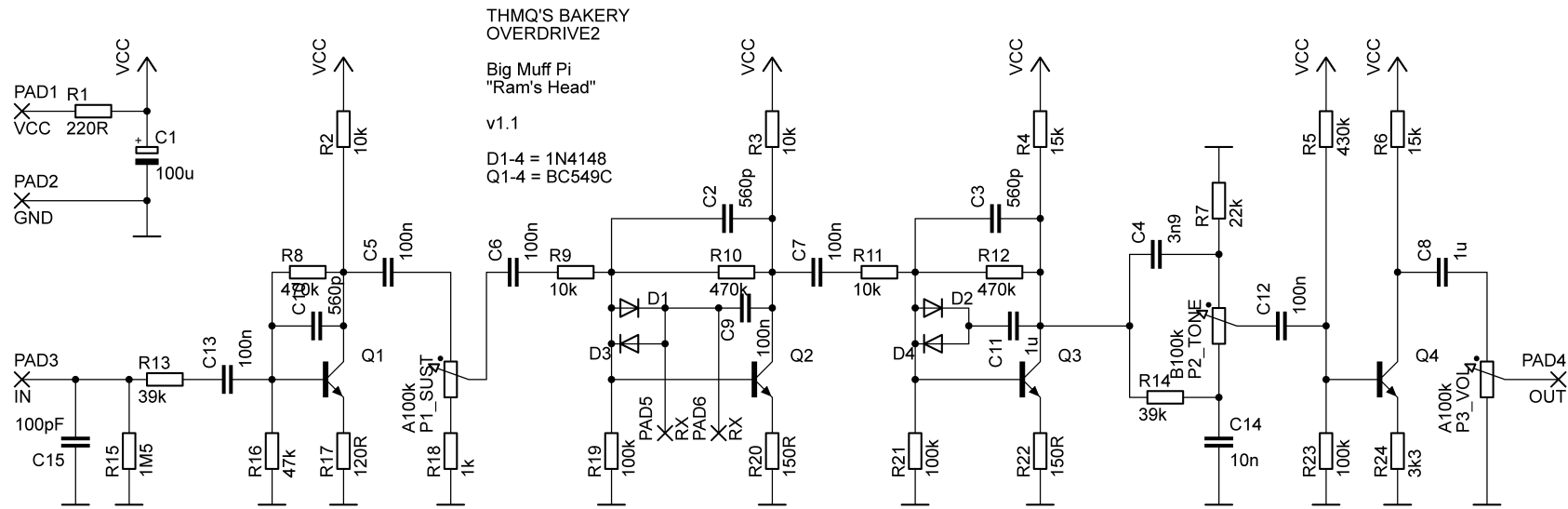
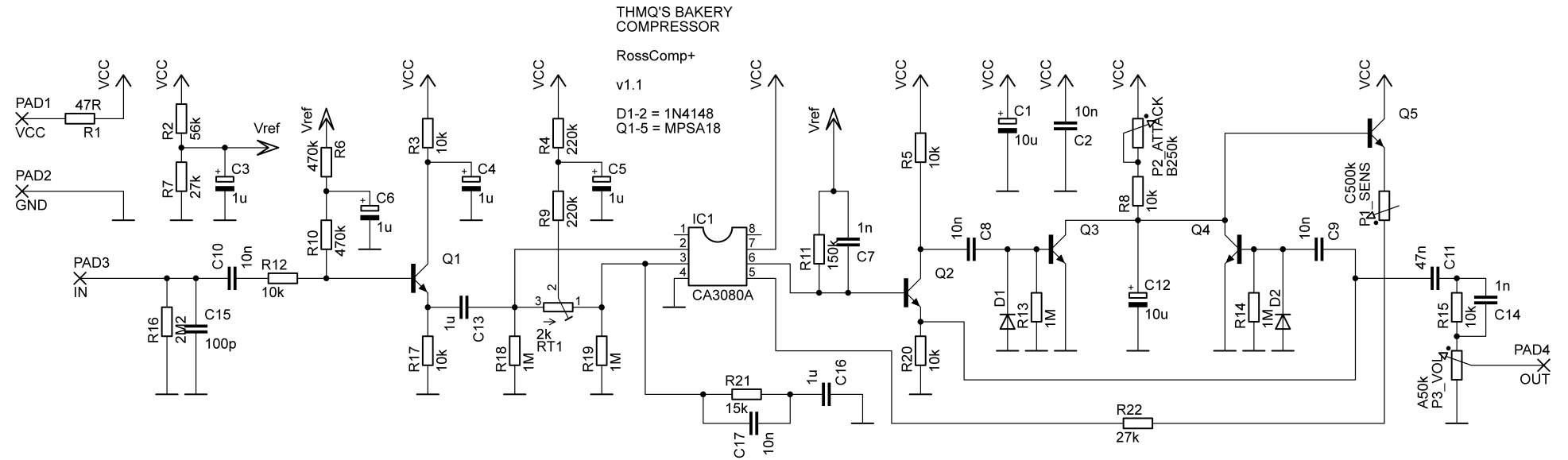
BUILD INSTRUCTIONS

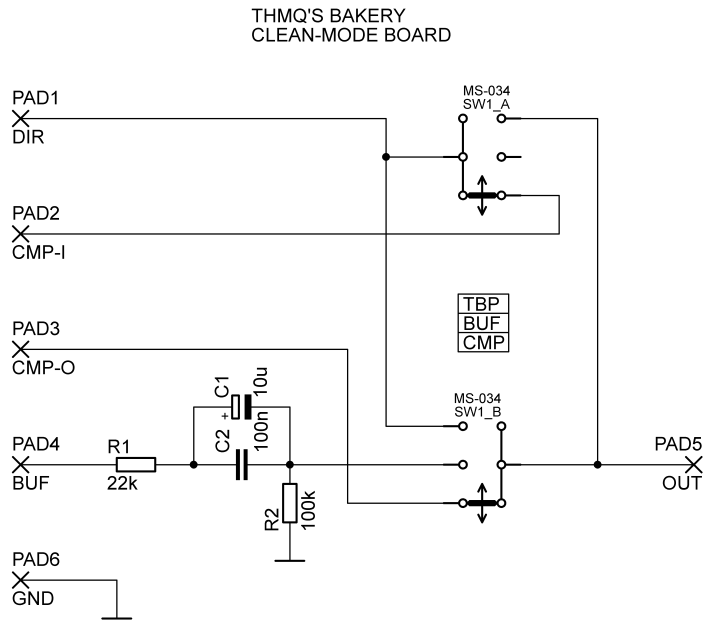
DRAFT1

Thomeeque, 2011-04-17









PART LISTS

Note: All capacitors rated 16V or more

MAIN BOARD

Resistors:

1x	10R	(R30)
2x	47R	(R27, R31)
1x	470R	(R10)
1x	1k	(R20)
1x	1k8	(R23)
1x	2k2	(R5)
1x	2k7	(R15)
1x	3k	(R16)
1x	3k6	(R26)

5x	10k	(R1, R6, R17, R32, R33)
1x	13.3k	(R18)
2x	22k	(R2, R7)
1x	33k	(R22)
2x	47k	(R28, R29)
1x	56k	(R13)
4x	100k	(R4, R8, R9, R14)
1x	150k	(R19)
2x	470k	(R21, R25)
1x	1M	(R24)
2x	10M	(R3, R12)
1x	22M	(R11)

Resistor Trimmers (Cermet T93YB):

2x	10k	(RT1_PRES, RT2_MID)
1x	50k	(RT3_BASS)

Disc Capacitors:

2x	47p	(C3, C9)
1x	100p	(C16)
1x	150p	(C8)
2x	100n	(C22, C26)

Foil Capacitors (RM5):

3x	10n	(C11, C13, C15)
1x	20n	(C20)
1x	27n	(C12)
1x	47n	(C10; RM2.5)
3x	56n	(C14, C17, C19)
2x	100n	(C1, C6)
1x	1u	(C7)

Tantal Capacitors:

1x	4u7	(C18)
3x	10u	(C2, C4, C5)

Elyt Capacitors:

2x	47u	(C23, C27)
2x	100u	(C21, C25)

1x 1000u (C24)

Diodes:

4x 1N4148 (D1 - D4)

1x 1N4007 (D5)

ICs + sockets:

2x JRC4558D or other (IC1, IC2; DIL8)

Potentiometers:

1x A100k (P4_VOL)

1x A500k (P2_GAIN)

1x B100k (P3_TONE)

1x C500k (P1_BOOST)

COMPRESSOR (RossComp+) BOARD**Resistors:**

1x 47R (R1)

7x 10k (R3, R5, R8, R12, R15, R17, R20)

1x 15k (R21)

2x 27k (R7, R22)

1x 56k (R2)

1x 150k (R11)

2x 220k (R4, R9)

2x 470k (R6, R10)

4x 1M (R13, R14, R18, R19)

1x 2M2 (R16)

Resistor Trimmers (Cermet T93YB):

1x 2k (RT1)

Disc Capacitors:

1x 100p (C15)

1x 10n (C2)

Foil Capacitors (RM5):

2x 1n (C7, C14)

4x 10n (C8, C9, C10, C17)

1x 47n (C11)

2x 1u (C13, C16)

Tantal Capacitors:

4x 1u (C3, C4, C5, C6)

2x 10u (C1, C12)

Diodes:

2x 1N4148 (D1, D2)

Transistors:

5x MPSA18 (Q1 - Q5)

ICs + sockets:

1x CA3080A (IC1; DIL8)

Potentiometers:

1x A50k (P3_VOL)

1x B250k (P2_ATTACK)

1x C500k (P1_SENS)

OVERDRIVE2 (Big Muff Pi) BOARD**Resistors:**

1x 120R (R17)

2x 150R (R20, R22)

1x 220R (R1)

1x 1k (R18)

1x 3k3 (R24)

4x 10k (R2, R3, R9, R11)

2x 15k (R4, R6)

1x 22k (R7)

2x 39k (R13, R14)

1x 47k (R16)
 3x 100k (R19, R21, R23)
 1x 430k (R5)
 3x 470k (R8, R10, R12)
 1x 1M5 (R15)

Disc Capacitors:

1x 100pF (C15)

Foil Capacitors (RM5):

3x 560p (C2, C3, C10)
 1x 3n9 (C4)
 1x 10n (C14)
 6x 100n (C5, C6, C7, C9, C12, C13)
 2x 1u (C8, C11)

Elyt Capacitors:

1x 100u (C1)

Diodes:

4x 1N4148 (D1 - D4)

Transistors:

4x BC549C(Q1 - Q4)

Potentiometers:

2x A100k (P1_SUST, P3_VOL)
 1x B100k (P2_TONE)

CLEAN MODE BOARD**Resistors:**

1x 22k (R1)
 1x 100k (R2)

Foil Capacitors (RM5):

1x 100n (C2)

Tantal Capacitors:

1x 10u (C1)

Other:

1x MS-034 or other DP3T slide switch (SW1)

GLOBAL WIRING**Resistors:**

1x 100R (R7)
 2x 390R (R3, R5)
 1x 8k2 (R4)
 2x 2M2 (R1, R2)

Foil Capacitors:

1x 150n (C2)

Tantal Capacitors:

1x 10u (C1)

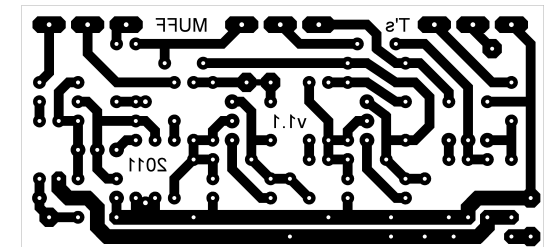
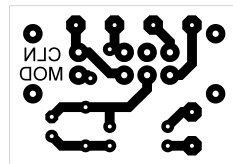
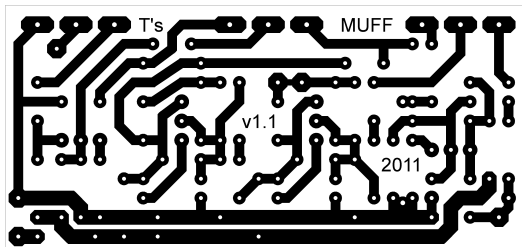
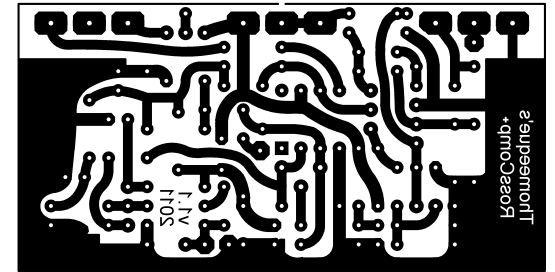
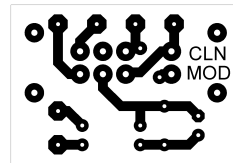
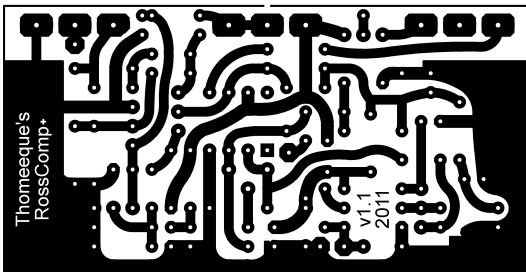
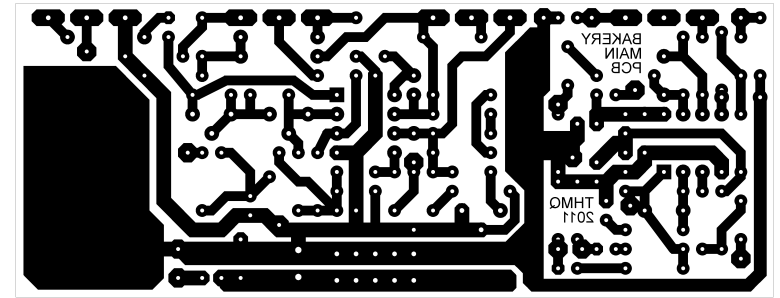
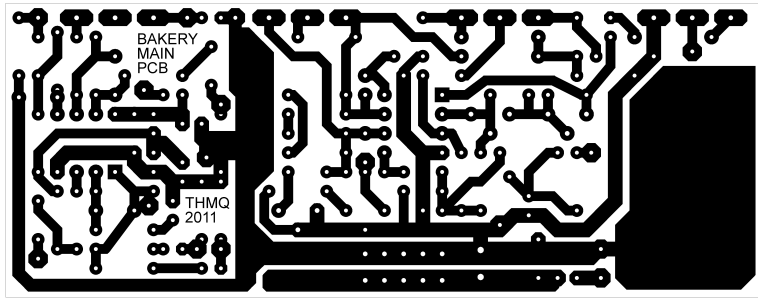
Elyt Capacitors:

1x 220u (C4)

Other:

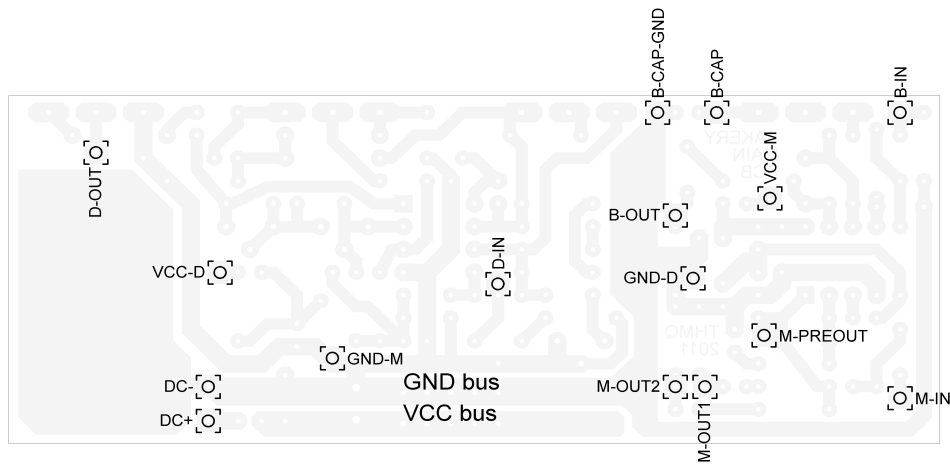
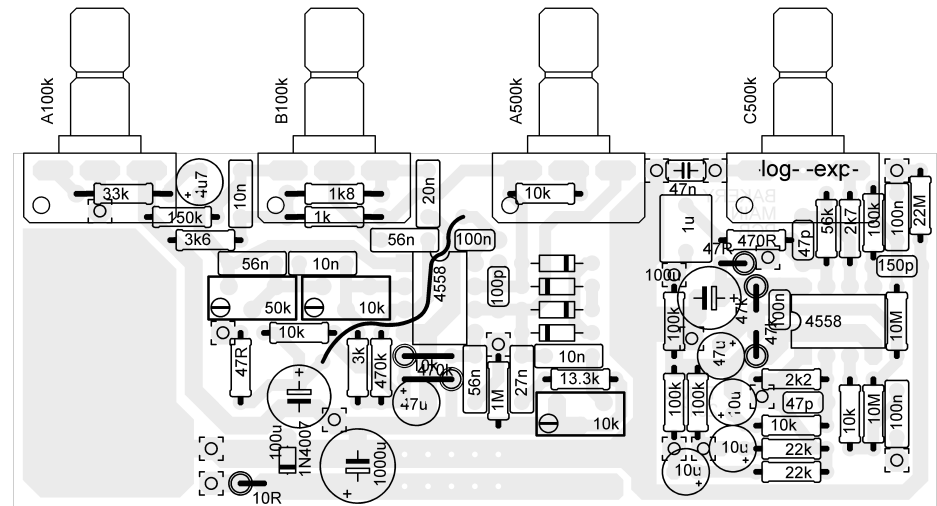
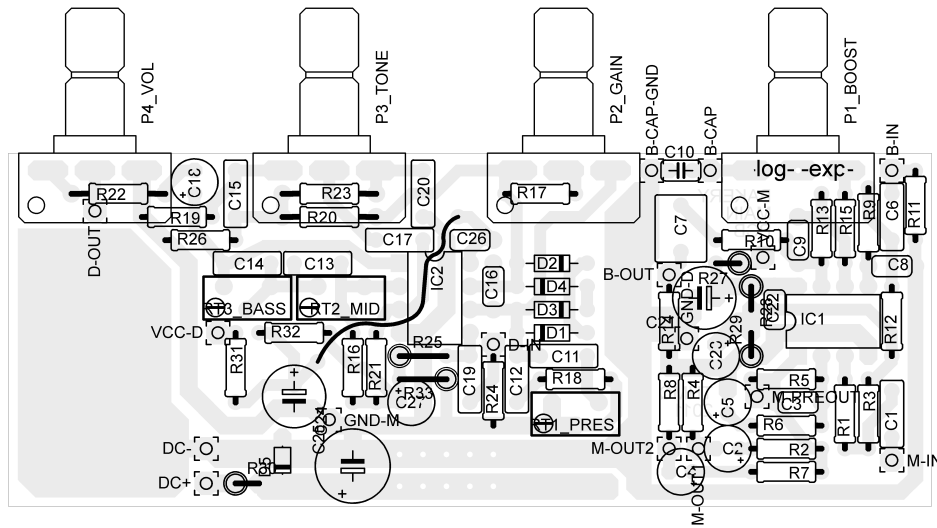
1x Red/Green dual-color LED (LED1)
 1x Red/Yellow dual-color LED (LED3)
 1x Blue LED (LED2)
 1x MS-034 or other DP3T slide switch (SLIDE2)
 3x 3PDT foot-switch (FSW1 - FSW3)
 6x ¼" stereo jack (J1 - J6)
 1x DC jack (J7)

PCBs (1:1, DIRECT / MIRRORED)

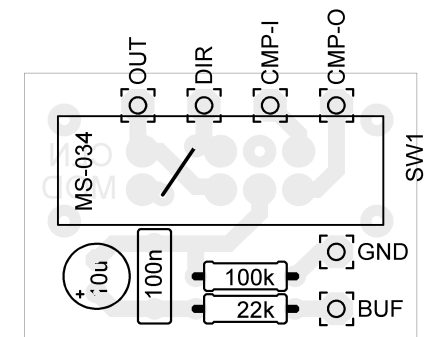
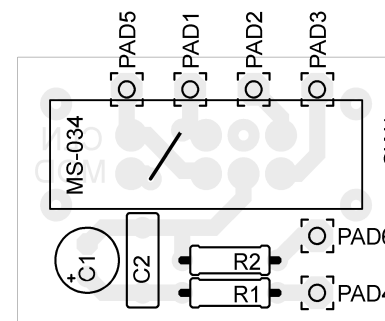


LAYOUTS (NAMES / VALUES)

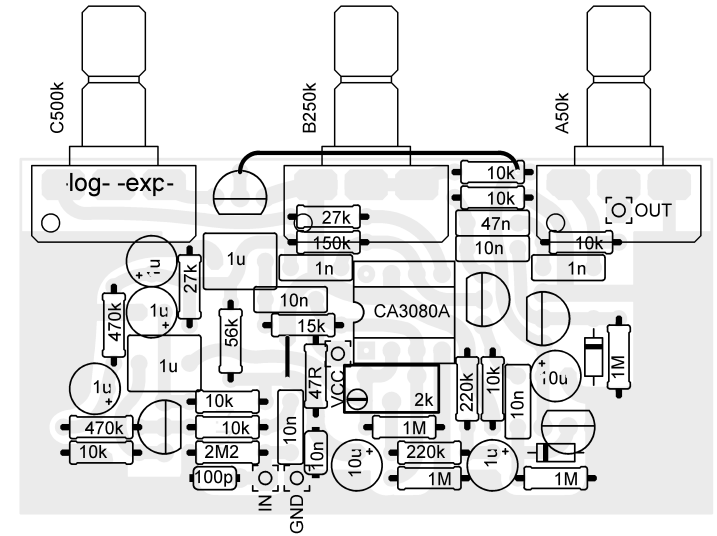
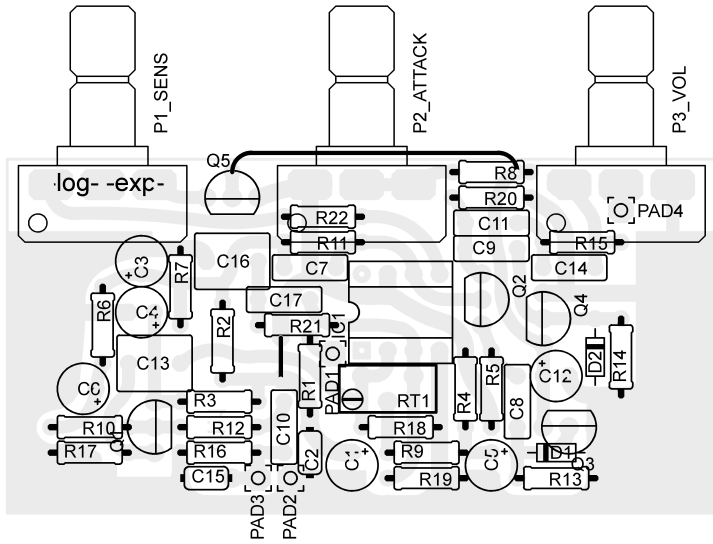
MAIN BOARD AND CLEAN-MODE BOARD LAYOUT



MAIN BOARD WIREPADS



COMPRESSOR (RossComp+) BOARD LAYOUT



OVERDRIVE2 (Big Muff Pi) BOARD LAYOUT

